

Numark

M20 Quick Start Owner's Manual

PROFESSIONAL DJ MONITORS

BOX CONTENTS

- 2 M20 DJ MONITORS
- 1 CONNECTING WIRE

MONITORES PARA DJ PROFESIONAL

CONTENIDO DE LA CAJA

- 2 MONITORES M20 PARA DJ
- 1 CABLE CONECTOR

MONITEURS PROFESSIONNELS POUR DJ

CONTENU DE LA BOÎTE

- 2 M20 MONITEURS POUR DJ
- 1 CÂBLE DE CONNEXION

PROFESSIONELLE DJ MONITORE

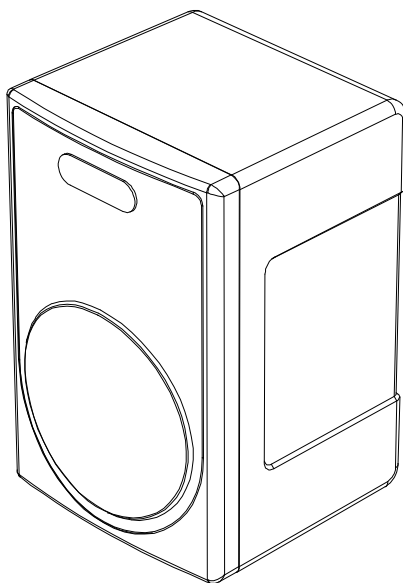
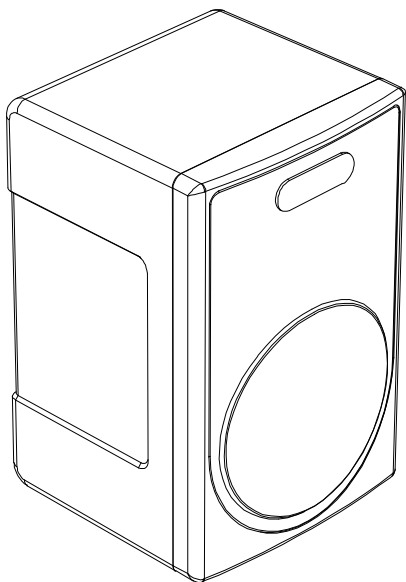
SCHACHTELINHALT

- 2 DJ MONITORE M20
- 1 CABLE CONNECTOR

DJ MONITOR PROFESSIONALI

CONTENUTO DELLA CONFEZIONE

- 2 DJ MONITOR M20
- 1 CAVO DI CONNESSIONE




SAFETY INSTRUCTIONS

- a) Read Instructions - All the safety and operating instructions should be read before this product is connected and used.
- b) Retain Instructions - The safety and operating instructions should be kept for future reference.
- c) Heed Warnings - All warnings on this product and in these operating instructions should be followed.
- d) Follow Instructions - All operating and other instructions should be followed.
- e) Placement – place the unit in a clean dry location.
- f) Water and Moisture - This product should be kept away from direct contact with liquids. The apparatus shall not be exposed to dripping or splashing and that no objects filled with liquids, such as vases, shall be placed on the apparatus.
- g) Temperature- Avoid placing this product to close to any high heat sources such as radiators. Do not use this unit at temperatures below 41°F/5°C or higher than 95°F/35°C.
- h) Ventilation - The appliance should be situated so that it's location or position does not interfere with it's proper ventilation. For example, the appliance should not be situated on a bed, sofa, rug, or similar surface that may block the ventilation opening; or, placed in a built-installation, such as bookcase or cabinet that may impede the flow of air through the ventilation openings.
- i) Power Sources - This product should be connected to a power supply only of the type described in these operating instructions, or as marked on the unit.
- j) Power Cord Protection - Power supply cords should be routed so that they are not likely to be walked upon or pinched by items placed on or against them. When removing the cord from a power outlet be sure to remove it by holding the plug attachment and not by pulling on the cord.
- k) Object and Liquid Entry - Take care that objects do not fall into and that liquids are not spilled into the inside of the mixer.
- l) Cleaning – The appliance should be cleaned only as recommended by the manufacturer. Do not use chemical solvents to clean the unit.
- m) Non-use Periods – The power cord of the appliance should be unplugged from the outlet when left unused for long periods of time.
- n) Damage Requiring Service - Only qualified personnel should service this product. If you have any questions about service please contact Numark at the number(s) shown on the back cover of this manual.
- o) Grounding or Polarization - Precautions should be taken so that the grounding or polarization means built into the speaker system is not defeated.
- p) Internal/External Voltage Selectors - Internal or external voltage selector switches, if any, should only be reset and re-equipped with a proper plug for alternative voltage by a qualified service technician. Do not attempt to alter this yourself.



- q) Carts and Stands - The appliance should be used only with a cart or stand that is recommended by the manufacturer of the cart or stand. An appliance and cart combination should be moved with care. Quick stops, excessive force, and uneven surfaces may cause the appliance and cart combination to overturn.

SERVICE INSTRUCTIONS

- Disconnect power cord before servicing
- Replace critical components  only with factory parts or recommended equivalents
- For AC line powered units - Before returning repaired unit to user, use an ohmmeter to measure from both AC plug blades to all exposed



CAUTION: TO REDUCE THE RISK OF ELECTRIC SHOCK DO NOT REMOVE ANY COVER. NO USER- SERVICEABLE PARTS INSIDE. REFER SERVICING TO QUALIFIED SERVICE PERSONNEL ONLY.

The lightning flash with arrowhead symbol within the equilateral triangle is intended to alert the user to the presence of un-insulated “dangerous voltage” within the product’s enclosure that may be of sufficient magnitude to constitute a risk of electric shock.

The exclamation point within the equilateral triangle is intended to alert the user to the presence of important operating and maintenance

WARNING: To reduce the risk of fire or electrical shock, do not expose this appliance to rain or moisture. Electrical equipment should NEVER be kept or stored in damp environments.

CAUTION

FOR USA & CANADIAN MODELS ONLY

TO PREVENT ELECTRIC SHOCK DO NOT USE THIS (POLARIZED) PLUG WITH AN EXTENSION CORD, RECEPTACLE OR OTHER OUTLET UNLESS THE BLADES CAN BE FULLY INSERTED TO PREVENT BLADE EXPOSURE

NOTICE CONCERNING FCC REGULATIONS

This equipment generates and uses radio frequency energy and may cause interference to radio and television reception if you do not operate it in strict accordance with the procedures detailed in this OPERATING MANUAL.

This unit complies with Class B computing device rules in accordance with the specifications in Sub-part J or Part 15 of the FCC Rules, which are designed to provide reasonable protection against such interference in a residential installation. There is no guarantee, however, that interference will not occur in a particular installation. If the unit does cause interference to any radio or television reception, try to reduce it by one or more of the following means:

- a) Reposition the other unit and/or its antennae
- b) Move this unit
- c) Move this unit and the other unit(s) further apart
- d) Plug this unit into a different AC outlet so that it is on a different circuit from the other equipment.

This note is in accordance with Section 15.838 of the FCC Rules.

This unit does not exceed the Class B limits for radio noise emission from digital apparatus set out in the radio interference regulations of the Canadian Department of Communications.

For 220-volt use in USA, use NEMA style 220-volt plug. For other countries use proper plug for local outlet.

DOUBLE INSULATED - When servicing use only identical replacement parts

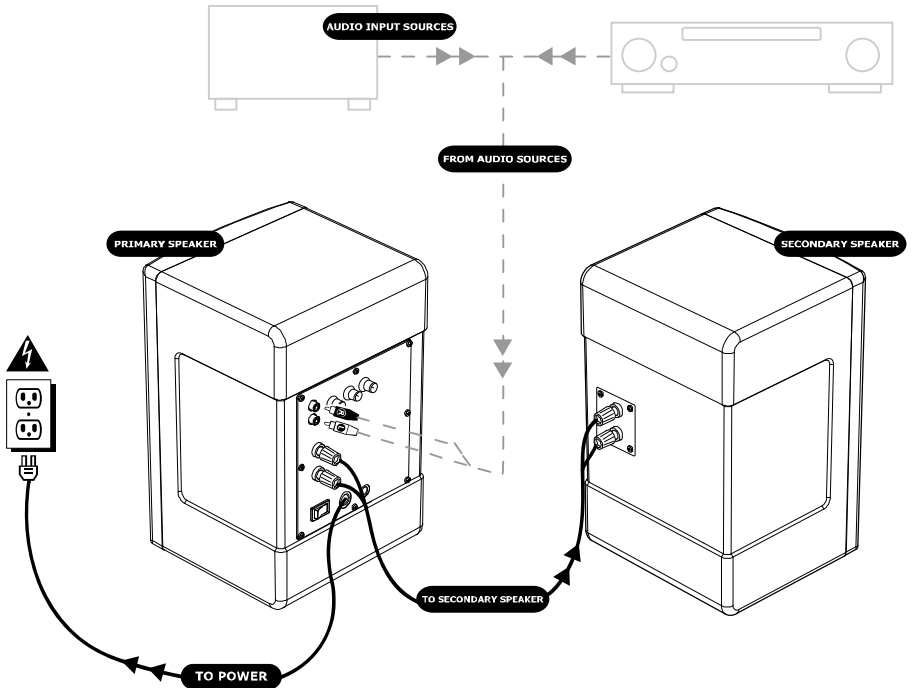
VERY IMPORTANT

Please read this section before connecting these monitors to your system

For optimum performance:

- Always make sure that AC power is OFF while making any connections.
- Never use spray cleaners on the control knobs. Residues cause excessive dirt build-up and this will void your warranty. In normal use, control knobs can last for many years. If they malfunction (usually because of a dirty or dusty environment) consult a professional technician.
- Use appropriate cables throughout your system. Do not use excessively long cables (i.e. over 50ft/14m) Be sure plugs and jacks are tightly mated. Loose connections can cause hum, noise or intermittents that could easily damage your speakers. Make the input and output connections with readily available low-capacitance stereo cables. Quality cable makes a big difference in audio fidelity and punch. See your ION dealer or an electronics or audio specialist store if you are not sure which cables to use.
- Never attempt to make any adjustments other than those described in this manual, or repairs. Take the unit to your dealer or to an authorized ION Service Center.
- Always remember: "TURN AMPS ON LAST AND OFF FIRST". Begin with master faders or volume controls on minimum and the amplifier gain/input control(s) down. Wait 8 to 10 seconds before turning up the volume. This prevents transients which may cause severe speaker damage.
- Use restraint when operating controls. Try to move them slowly. Rapid adjustments could damage equipment due to amplifier clipping.
- Avoid amplifier "clipping" at all costs: this occurs when the red LEDs (usually on the front panel of most professional power amplifiers) start flashing. "Clipping" is when the power amplifier is distorting and working beyond it's limits. Amplifier distortion is THE major cause of speaker failure.
- To prevent fire or shock hazard, do not expose the unit to rain or moisture. Never place cans of beer, soda, glasses of water or anything wet near or on top of the unit!

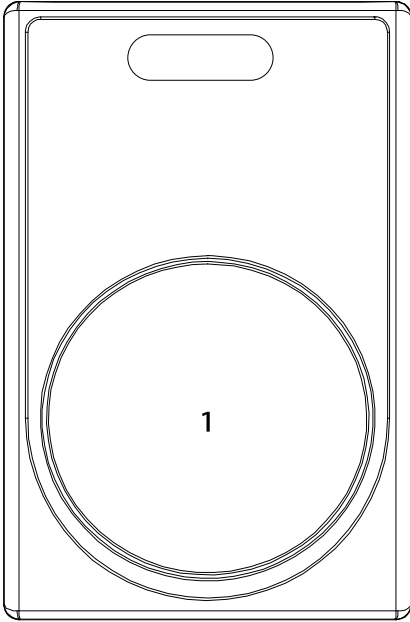
- Headphone outputs can be set to levels which can cause damage to your ears. Use caution



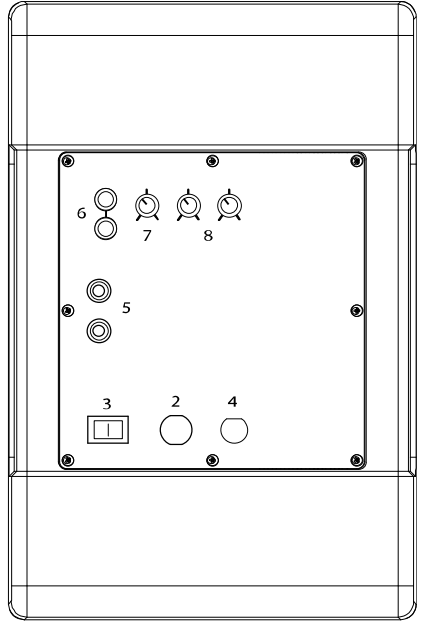
QUICK SETUP GUIDE

1. Make sure all items listed on the front of this guide are included in the box.
2. **READ SAFETY INSTRUCTIONS BEFORE USING THE PRODUCT**
3. Study this setup diagram.
4. Place the speakers in an appropriate position for operation.
5. Make sure all devices are turned off and all volume/gain knobs are set to "0".
6. Connect all stereo input sources before turning on the power.
7. Connect the speakers to the power amplifier(s), tape decks, and/or audio sources.
8. Plug the primary speaker and other powered units into AC power.
9. Switch everything on in the following order.
 - audio sources (i.e. CD Players, Turntables or other audio sources)
 - any amplifier/output sources
 - last, speakers
10. When turning off, always reverse this operation by,
 - turning off speakers
 - any amplifier/output sources
 - last, any audio sources
11. Go to <http://www.numark.com> for product registration.

PRIMARY SPEAKER

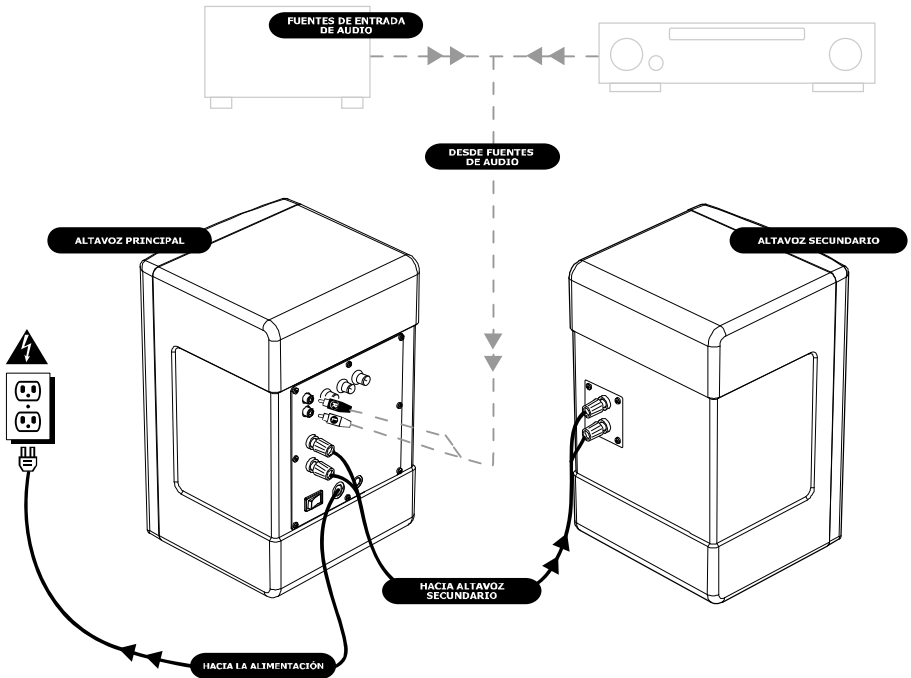


FRONT



BACK

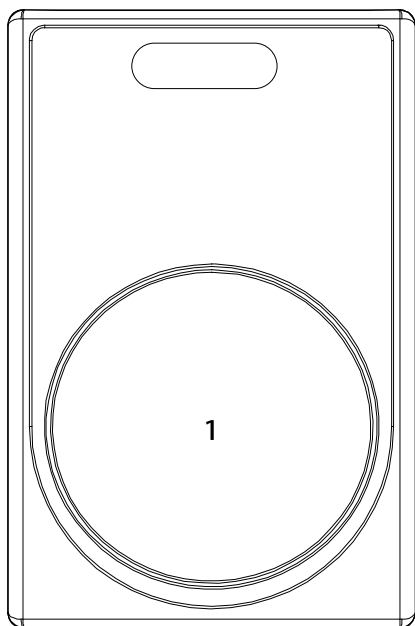
1. **Protective Speaker Grill:** Protects the speaker and speaker cone from the outside elements and abuse.
2. **3-Prong Power Cord:** Use only in a grounded outlet.
3. **On/Off Switch:** Turns the speaker power on and off. NOTE: Read the Quick Setup Guide before and turning on/off this equipment.
4. **Fuse Cover:** Houses the circuit fuse, which protects this speaker system from power surges and overloads.
5. **Speaker Out Terminals:** Output terminals for the secondary speaker.
6. **Main Input:** RCA jacks for audio input from the main audio source (Amplifier or other audio source).
7. **Gain:** This rotary control adjusts the input/volume level.
8. **Treble/Bass Controls:** These rotary controls adjust the treble (high frequencies) and the bass (low frequencies) levels.



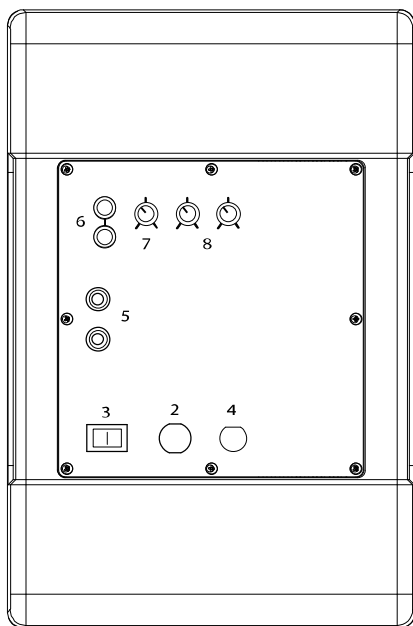
INSTALACIÓN RÁPIDA DEL M20 (ESPAÑOL)

1. Asegúrese de que todos los artículos incluidos al inicio de este manual están incluidos en la caja.
2. **LEA EL FOLLETO DE INSTRUCCIONES DE SEGURIDAD ANTES DE UTILIZAR EL PRODUCTO.**
3. Estudie este diagrama de instalación.
4. Coloque la estación de mezclas en una posición adecuada para su funcionamiento.
5. Asegúrese de que todos los dispositivos están apagados y de que todos los faders y potenciómetros de ganancia están en posición "cero".
6. Conecte todas las fuentes de entrada al estéreo como se indica en el diagrama.
7. Conecte los altavoces a los amplificadores de alimentación, unidades de cinta magnética y/o fuentes de audio
8. Conecte el altavoz principal y otras unidades eléctricas a la fuente de corriente alterna.
9. Prenda todo en el siguiente orden:
 - fuentes de entrada de audio (por ej. giradiscos o reproductores de CD)
 - M20
 - por último, cualquier amplificador o dispositivo de salida
10. Al apagar, realice siempre esta operación al contrario:
 - apague los amplificadores
 - M20
 - por último, cualquier dispositivo de entrada
11. Visite <http://www.numark.com> para registrar el producto.

ALTAVOZ PRINCIPAL

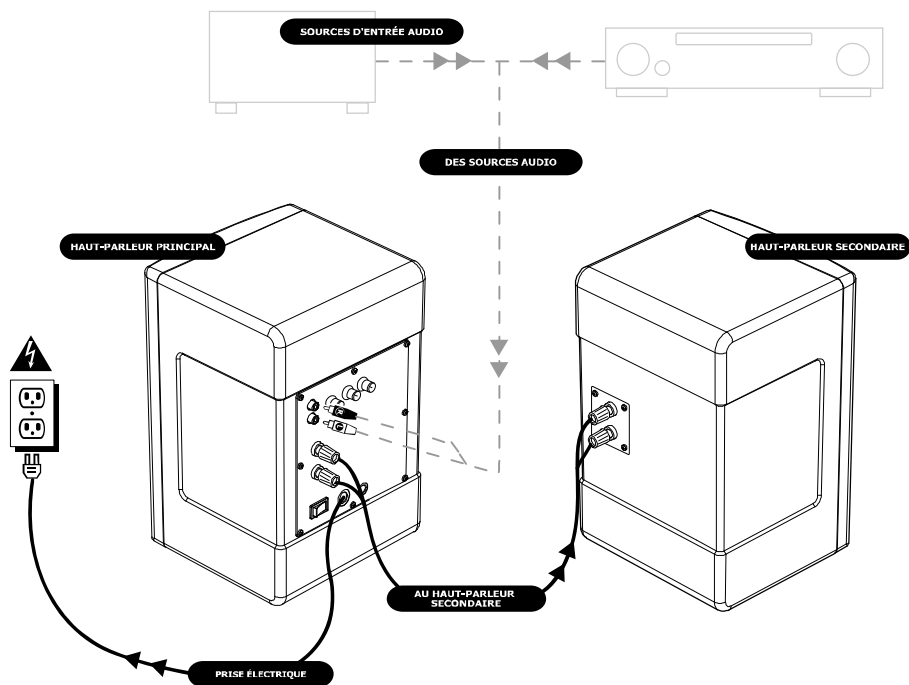


FRONTAL



TRASERO

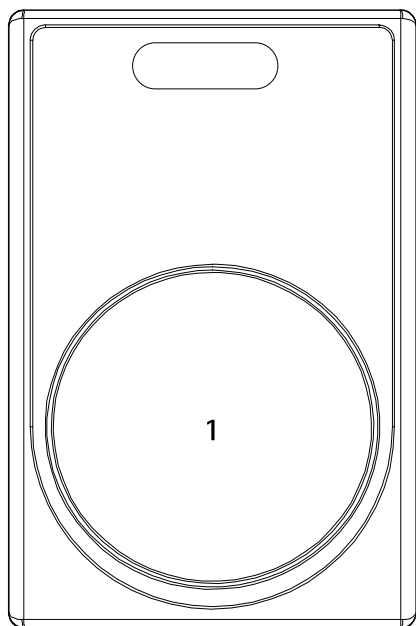
1. **Parrilla protectora del altavoz:** Protege el altavoz y el cono del altavoz contra los elementos de la intemperie y el mal uso.
2. **Cable de alimentación de 3 conectores (dientes):** Úselo solamente en un enchufe conectado a tierra.
3. **Interruptor On/Off (Encendido/Apagado):** Enciende y apaga el altavoz. NOTA: Lea la Guía de inicio rápido antes de encender/apagar el equipo.
4. **Tapa de fusibles:** Cubre el fusible del circuito, el cual protege a este sistema de altavoces contra la sobretensión y sobrecarga.
5. **Terminales de salida de altavoces:** Terminales de salida para el altavoz secundario.
6. **Entrada principal:** Conectores (jacks) de RCA para la entrada de audio de la fuente de audio principal (Amplificador u otra fuente de audio).
7. **Ganancia:** Este control giratorio ajusta el nivel de entrada/volumen.
8. **Controles de agudos/graves:** Estos mandos giratorios ajustan los niveles de los agudos (altas frecuencias) y graves (bajas frecuencias).



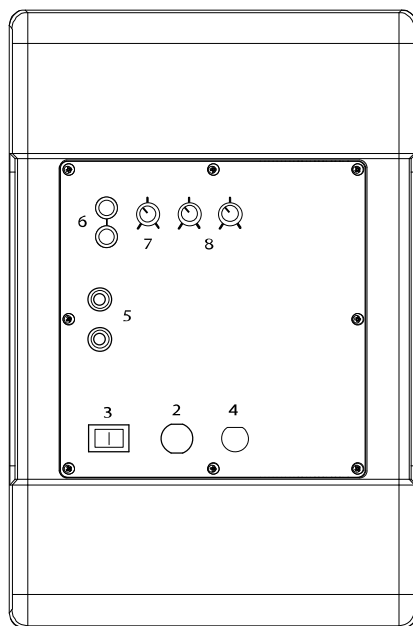
GUIDE D'INSTALLATION SIMPLIFIÉE (FRANÇAIS)

1. Assurez-vous que tous les articles énumérés sur la page couverture de ce guide sont inclus dans la boîte.
2. **LIRE LE LIVRET DES CONSIGNES DE SÉCURITÉ AVANT D'UTILISER LE PRODUIT.**
3. Examinez bien le schéma d'installation.
4. Placer la station de mixage M20 dans une position appropriée pour l'utilisation.
5. Assurez-vous que tous les appareils sont hors tension et que tous les atténuateurs et le gain sont réglés à « zéro ».
6. Connecter toutes les sources d'entrée tel qu'indiqué sur le schéma.
7. Branchez les haut-parleurs à l'amplificateur(s) de puissance, aux lecteurs de cassette et/ou aux sources audio.
8. Branchez le haut-parleur principal et les autres appareils électriques à une prise de courant alternatif.
9. Mettre tous les appareils sous tension dans l'ordre suivant :
 - sources d'entrée audio (i.e. tourne-disque ou lecteurs de disques compacts)
 - M20
 - en dernier, tous amplificateurs ou appareils de sortie
10. Pour mettre hors tension, toujours inverser l'opération :
 - Éteindre les amplificateurs
 - M20
 - En dernier, tous les appareils d'entrée
11. Allez à <http://www.numark.com> pour enregistrer le produit.

HAUT-PARLEUR PRINCIPAL

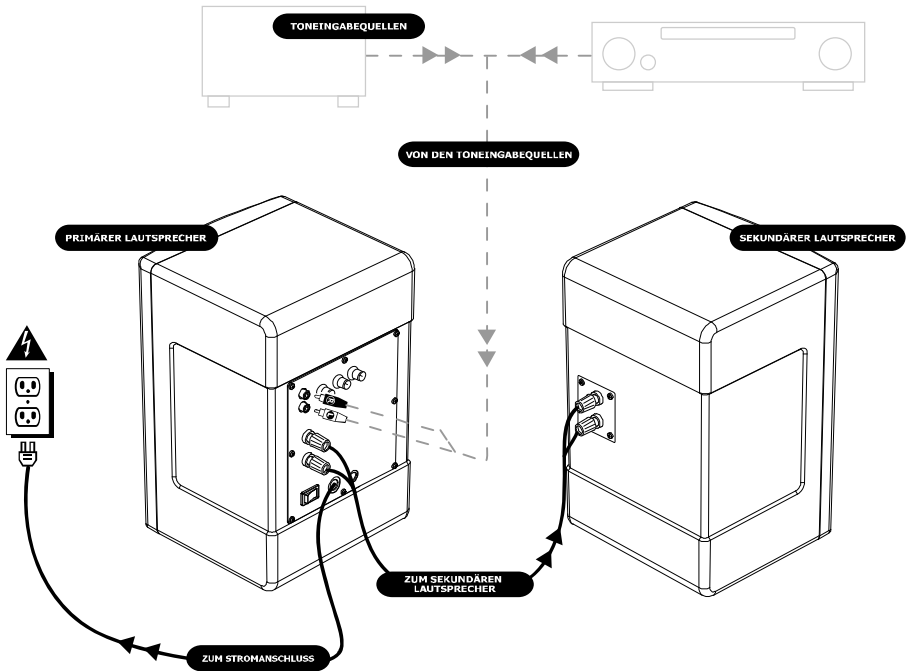


AVANT



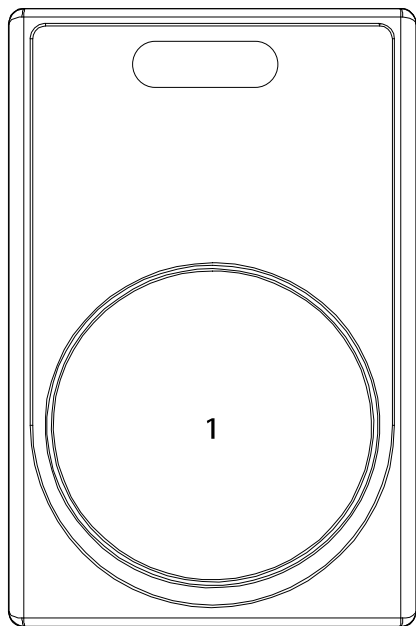
ARRIÈRE

1. **Grilles de protection :** Protège le haut-parleur et le cône diffuseur des éléments extérieurs et des coups.
2. **Câble d'alimentation avec fiche à trois broches :** Branchez ce câble uniquement à une prise avec mise à la terre.
3. **Interrupteur marche-arrêt :** La mise sous et hors tension du haut-parleur. NOTE : Lisez le Guide d'installation rapide avant de mettre ce matériel sous et hors tension.
4. **Couvercle de fusible :** Abrite le circuit à fusible qui protège le système haut-parleur des surtensions et des surcharges.
5. **Bornes de sortie haut-parleurs :** Les bornes de sortie pour les haut-parleurs secondaires.
6. **Entrée principale :** Prise RCA pour entrée audio provenant de la source audio principale (amplificateur ou une autre source audio).
7. **Gain :** Ce contrôle rotatif ajuste le volume d'entrée.
8. **Contrôles Treble/Bass :** Ces contrôles rotatifs ajustent le niveau des fréquences aiguës et graves.

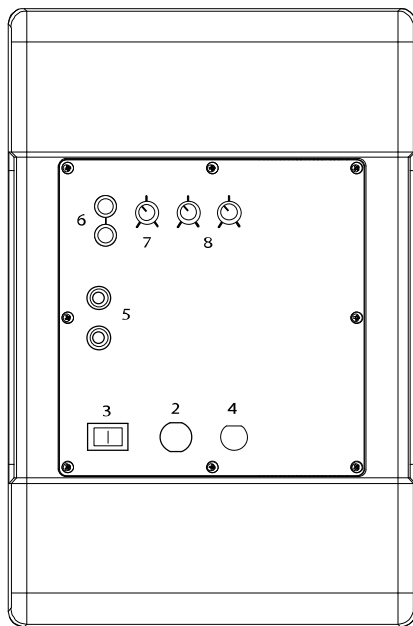


M20 SCHNELLAUFBAU (DEUTSCH)

1. Versichern Sie sich, daß alle auf der Vorderseite dieser Anleitung aufgeführten Gegenstände in der Schachtel enthalten sind.
2. **LESEN SIE DIE SICHERHEITSHINWEISE, BEVOR SIE DAS PRODUKT IN BETRIEB NEHMEN.**
3. Sehen Sie sich dieses Aufbaudiagramm genau an.
4. Stellen Sie das M20- Bedienpult an eine für den Betrieb geeignete Stelle.
5. Stellen Sie sicher, daß alle Geräte ausgeschaltet sind und alle Blendregler und Drehknöpfe auf "null" stehen
6. Schließen Sie alle Stereo-Eingabequellen wie im Diagramm gezeigt an.
7. Verbinden Sie die Lautsprecher mit dem/den Verstärker/n, Kassetten-Decks und/oder Tonquellen.
8. Schliessen Sie den primären Lautsprecher und andere stromgespeiste Geräte an den Wechselstromkreis an.
9. Schalten Sie alles in der folgenden Reihenfolge ein:
 - Toneingabequellen (z.B. Plattenspieler oder CD-Spieler)
 - M20
 - zuletzt jegliche Verstärker oder Ausgabegeräte
10. Beim Ausschalten, drehen Sie diese Reihenfolge jeweils um, indem Sie:
 - die Verstärker ausschalten
 - dann den M20
 - zuletzt alle Eingabequellen
11. Besuchen Sie die Webseite <http://www.numark.com>, um Ihr Produkt zu registrieren.

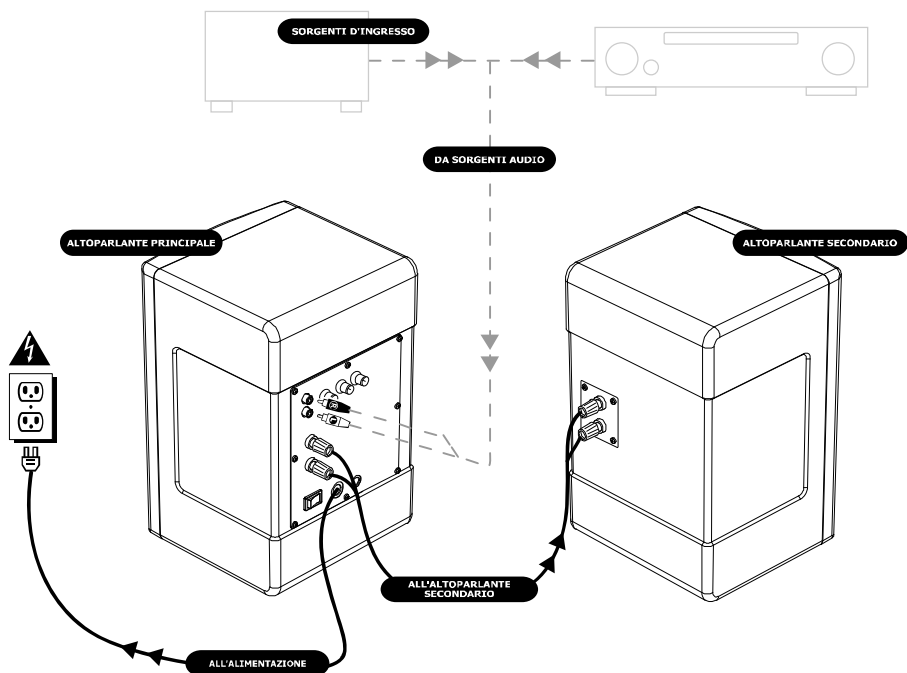
PRIMÄRER LAUTSPRECHER

VORDERSEITE



RÜCKSEITE

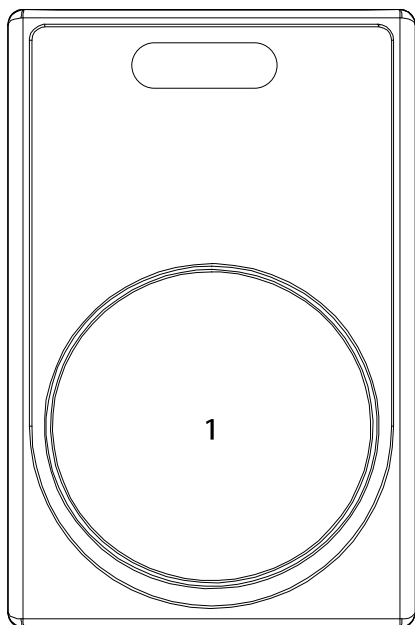
1. **Lautsprecherschutzgitter:** Schützt den Lautsprecher und den Lautspecherkonus vor Außeneinwirkungen und Mißbrauch.
2. **3-Stift-Stromkabel:** Nur mit geerdeten Anschlüssen zu verwenden.
3. **Ein/Aus-Schalter:** Schaltet den Lautsprecher ein und aus. HINWEIS: Lesen Sie sich die Schnellaufbauanleitung vor Ein- und Ausschalten des Gerätes durch.
4. **Sicherungsabdeckung:** Beinhaltet die elektrische Sicherung, welche das Lautsprechersystem vor Stromstößen und Überspannungen schützt.
5. **Lautsprecherausgabe-Anschlüsse:** Ausgabeanschlüsse für den sekundären Lautsprecher.
6. **Hauptanschluß:** RCA-Buchsen für Toneingabe der Haupttonquelle (Verstärker oder andere Tonquelle).
7. **Gain:** Dieser Drehregler dient zur Einstellung des Eingabe-/Lautstärkepegels.
8. **Höhen/Bässe Steuerungen:** Diese Drehknöpfe dienen zur Pegeleinstellung der Höhen (Höhenfrequenzen) und der Bässe (Tiefenfrequenzen).



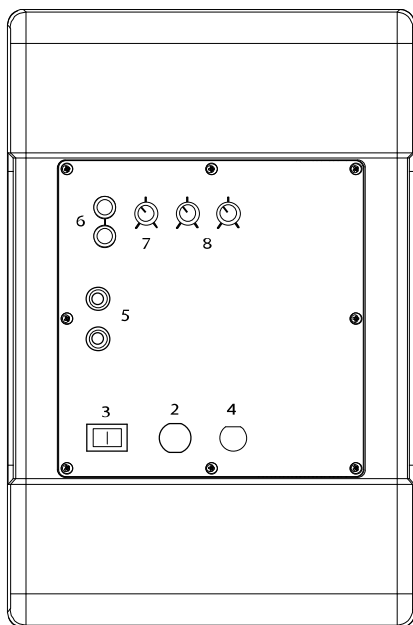
MONTAGGIO RAPIDO M20 (ITALIANO)

1. Verificare che tutti gli elementi elencati sul frontespizio di questo manuale siano inclusi nella confezione.
2. **PRIMA DI UTILIZZARE IL PRODOTTO LEGGERE IL LIBRETTO DELLE ISTRUZIONI DI SICUREZZA.**
3. Esaminare attentamente lo schema di montaggio.
4. Posizionare la console M20 in modo adeguato all'operazione.
4. Assicurarsi che tutti i dispositivi siano spenti e che tutti i fader e le manopole di guadagno siano a "zero".
5. Collegare tutti gli ingressi stereo come indicato nello schema.
6. Collegare gli altoparlanti all'amplificatore(i), piatti, e/o sorgenti audio.
7. Inserire l'altoparlante principale e gli altri apparecchi ad alimentazione alla corrente CA.
8. Accendere tutto nel seguente ordine:
 - sorgenti di ingresso audio (cioè le piastre o i lettori CD)
 - il M20
 - per ultimi, tutti gli amplificatori o i dispositivi di uscita
9. Al momento dello spegnimento, invertire sempre questa operazione,
 - spegnendo gli amplificatori
 - il M20
 - per ultimi, tutti i dispositivi di ingresso
10. Andare sul sito <http://www.numark.com> per la registrazione del prodotto.

ALTOPARLANTE PRINCIPALE



FRONTE



RETRO

1. **Griglia di Protezione dell'Altoparlante:** Protegge l'altoparlante e il cono dell'altoparlante da elementi estranei e da un eventuale abuso.
2. **Cavo di Alimentazione a stella:** Utilizzare unicamente con prese dotate di messa a terra.
3. **Interruttore On/Off:** Accende e spegne l'alimentazione dell'altoparlante. NOTA: Leggere la Guida di Utilizzazione Rapida prima di accendere o spegnere (on/off) l'apparecchio.
4. **Coperchio dei Fusibili:** Alloggia il fusibile del circuito, che protegge l'altoparlante da improvvisi sbalzi di tensione e sovraccarichi.
5. **Terminali Speaker Out:** Terminali di uscita per l'altoparlante secondario.
6. **Ingresso Principale:** Jack RCA per ingressi audio provenienti dalla sorgente audio principale (Amplificatore o altra sorgente audio).
7. **Gain:** Questo comando regola il livello di ingressi/volume.
8. **Comandi Treble/Bass:** Questi comandi regolano i livelli degli acuti (alte frequenze) e dei bassi (basse frequenze).